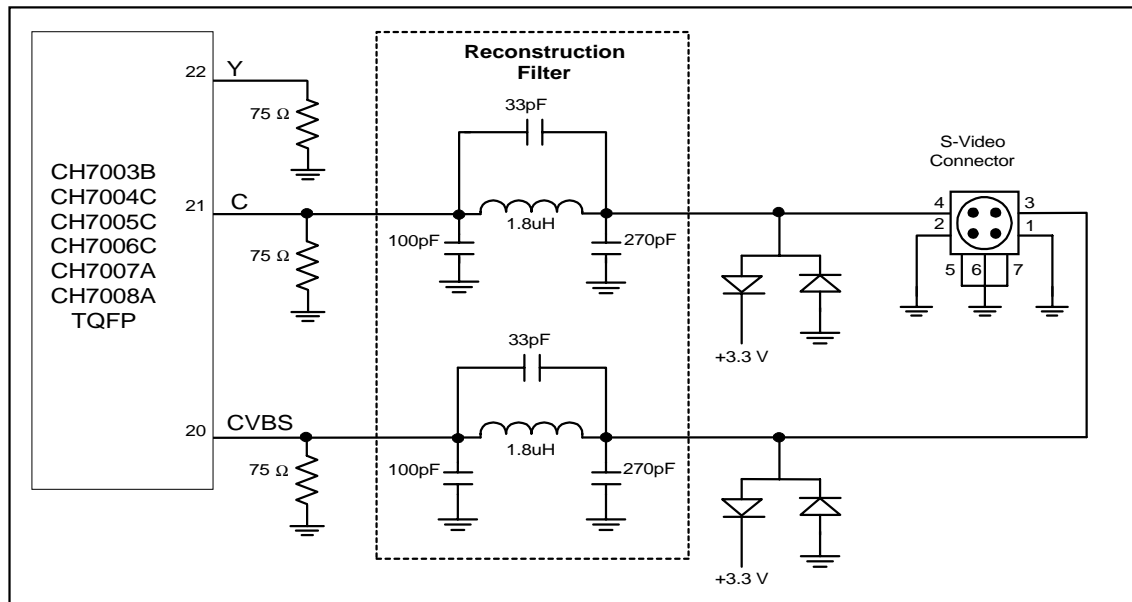


Recommendation of Composite & S-Video in single connector for CH7003/7004/7005/7006/7007/7008

Introduction

In some application, there is only one video output connection available and simultaneously display of S-Video and Composite is not a concern. In order to provide S-Video & Composite signal under this situation, a recommended signal connection from CH7003 - CH7008 are shown:

Circuit Diagram

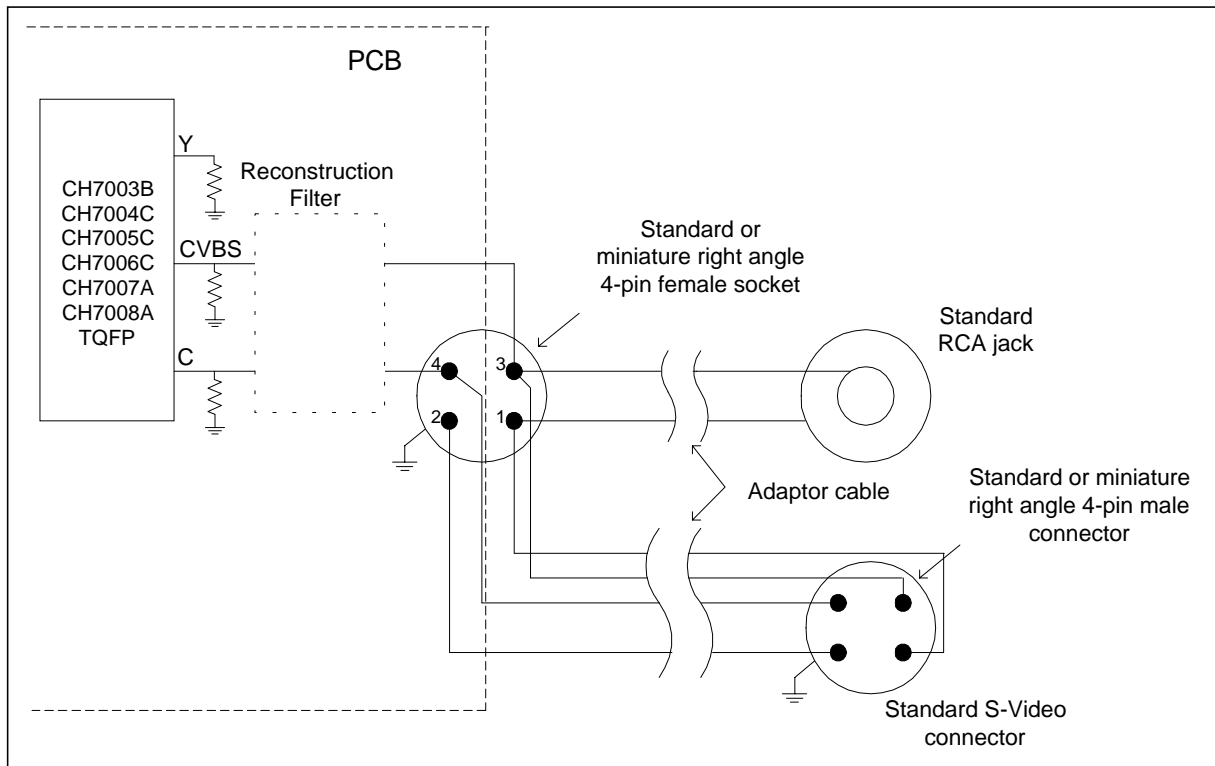


Note: All the VDD are connected to DAC power supply & GND are conneted to DAC ground. Please refer to the data sheet for both VDD & GND pin's number. For PCB layout requirement, please refer to AN-24.

Software Register Setting

	Register Setting	
	VBW Register	PMR Register
Composite output	Bit6 (CVBW bit) = 0 and PD[2:0] = 010 for S-Video off OR Bit6 (CVBW bit) = 0 and PD[2:0] = 011 for Normal operation mode	
S-Video output	Bit6 (CVBW bit) = 1 and PD[2:0] = 011 for Normal operation mode	

Cable Connection



Recommendation: Please refer to Digi-Key or JAMECO for the standard socket & connector. Customer should be aware and consult the cable manufacturer regarding the EMI issue, when the small form factor custom made connectors & cables are required.