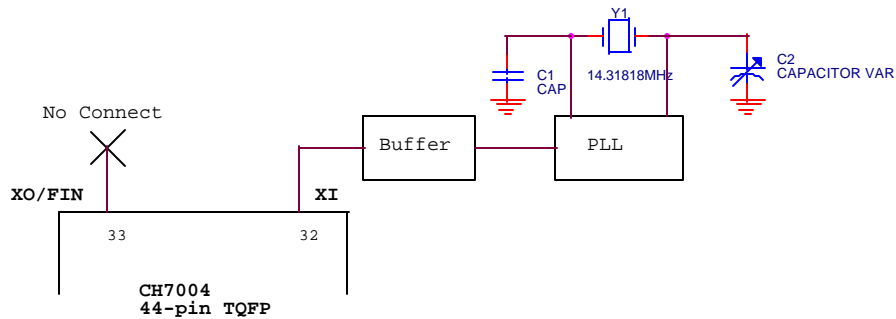


Crystal Specifications

The following application note is applicable to CH7004.

If 14.31818 MHz crystal is not used in the design, and external clock source is used, please follow following circuit. Chrontel suggests the use of a 14.31818MHz crystal which exhibits ± 20 ppm frequency tolerance, in the external oscillator circuit of the above mentioned part. We have found, this allows the vectorscope used by **Macrovision** in testing, to properly lock on to the color subcarrier signal.

To calculate the proper external load capacitance to be added to the XI and XO/FIN pins, please refer to application note AN-06.



If you have concerns associated with this circuit or if you are not using external clock source, use following circuit.

A 14.31818MHz crystal with the frequency tolerance of ± 20 ppm is connected in between pins XI and XO/FIN of CH7004.

